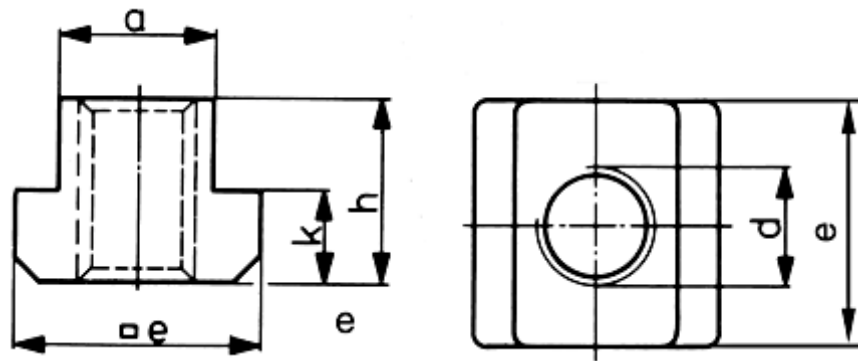


## T Nut – Strap Clamp Exercise

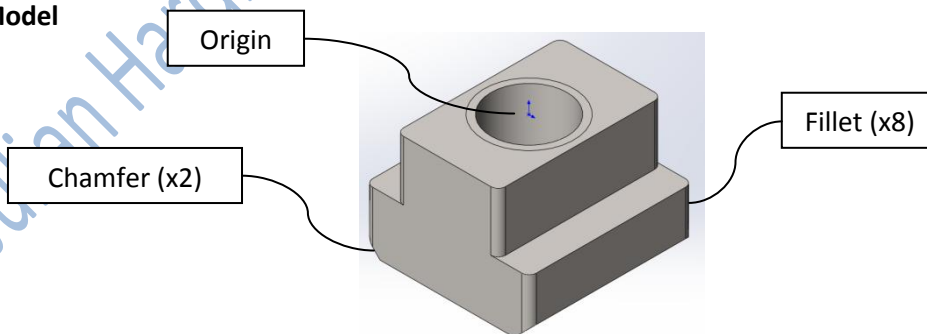


### Basic Model

- Produce a model of the M12 T Nut; try to produce using only two features, an extrude and the hole with hole wizard.
- Model with the origin at the top face and at the centre of the hole.
- The two chamfers on the bottom face will be 2mm x 45 degrees.
- The eight edge fillets (on right view above) set at 1mm.
- Set the material to carbon steel.
- Check the mass properties; mass should equal 38.03 grams (hole wizard option set to cosmetic thread).

Description	a	e (square)	h	k	d
M4 x 5	4.6	9	6.5	3	M4
M5 x 6	5.7	10	8.0	4	M5
M6 x 8	7.7	13	10.0	6	M6
M6 x 10	9.6	15	12.0	6	M6
M8 x 10	9.7	15	12.0	6	M8
M10 x 12	11.7	18	14.0	7	M10
M12 x 14	13.7	22	16.0	8	M12
M16 x 18	17.7	28	20.0	10	M16
M20 x 22	21.7	35	28.0	14	M20

### The Model



### Extended Work (C&G Parametric CAD Lv2 Work)

- Produce manual configurations to the table above, the complete the model will contain nine configurations.