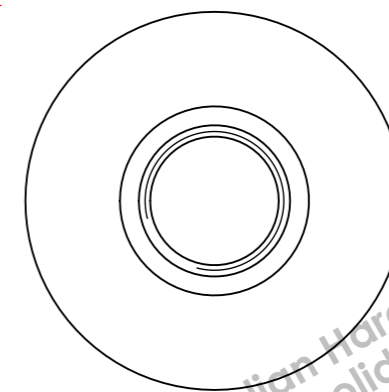
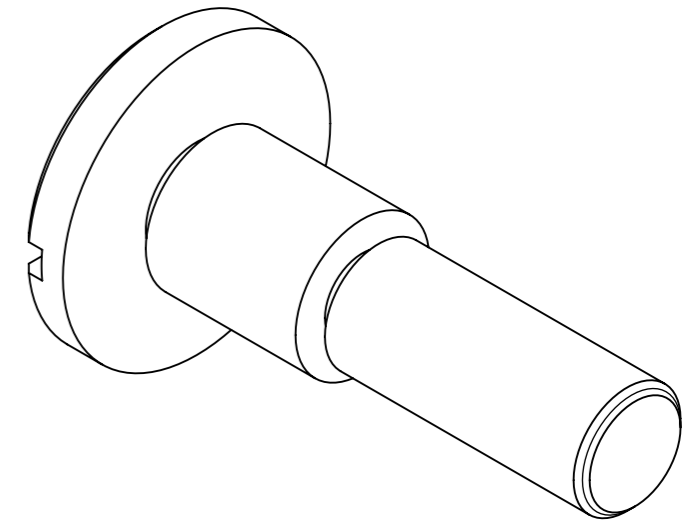
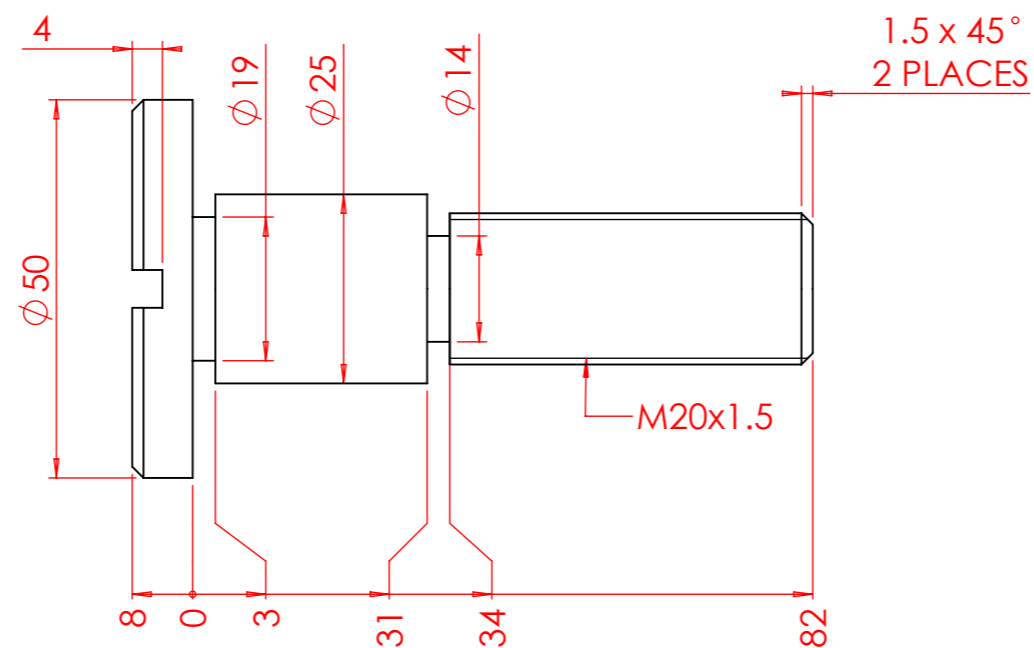
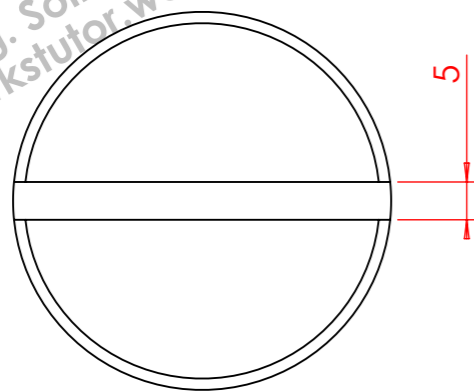


Julian Harding. Solidworks Tutor.
www.solidworkstutor.weebly.com



Julian Harding. Solidworks Tutor.
www.solidworkstutor.weebly.com

Solidworks Features / Learning Outcomes

- Revolve
- Extruded Cut
- Cosmetic Thread (Annotation)
- Material
- Mass Properties

STEPPED SHAFT
MATERIAL : PLAIN CARBON STEEL
MASS : 348.01g

Julian Harding
08/2012