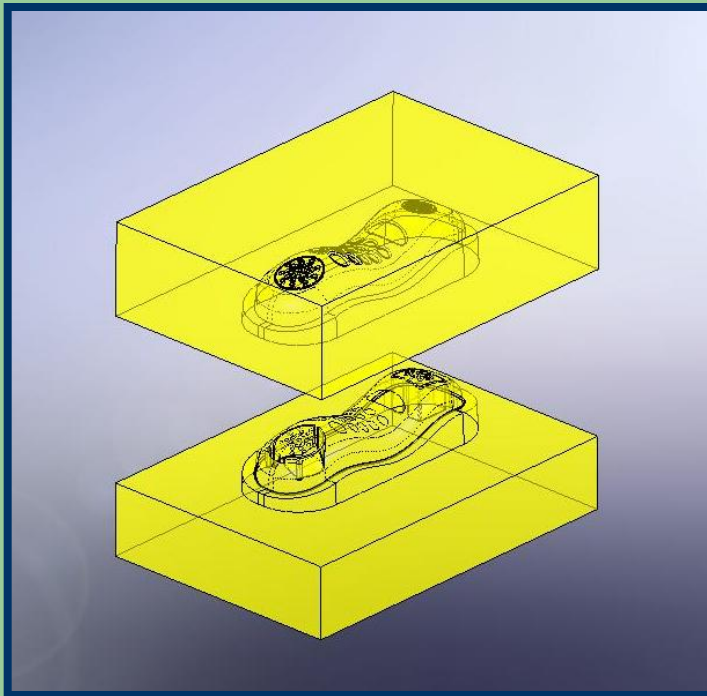
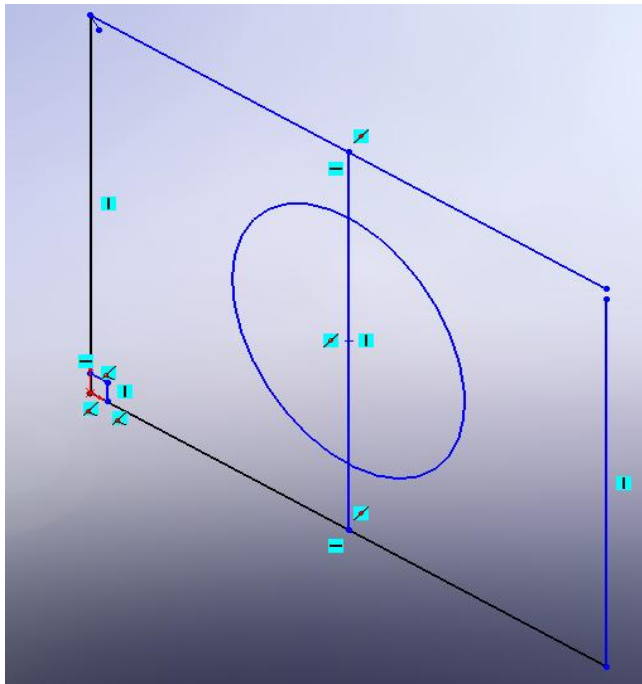


Solidworks Sketching



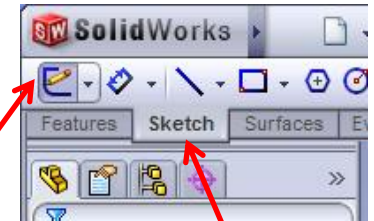
Can't Produce Required Features?

2D Sketching – Inserting a Sketch

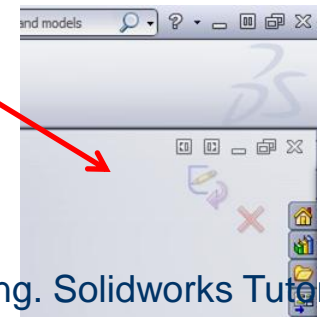


To insert a sketch

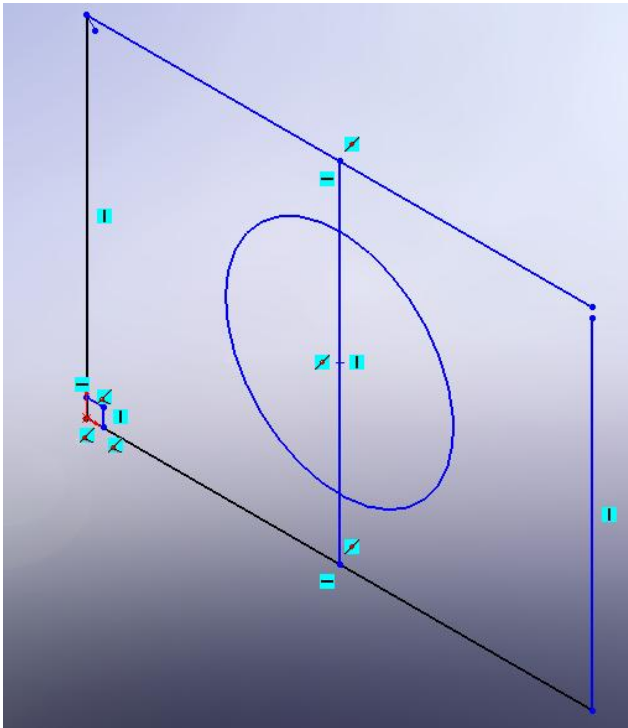
- select a plane
- insert sketch with icon – under sketch tab.



Sketch tools will now be active and the close / exit sketch buttons will be in the top right corner of the graphics window.

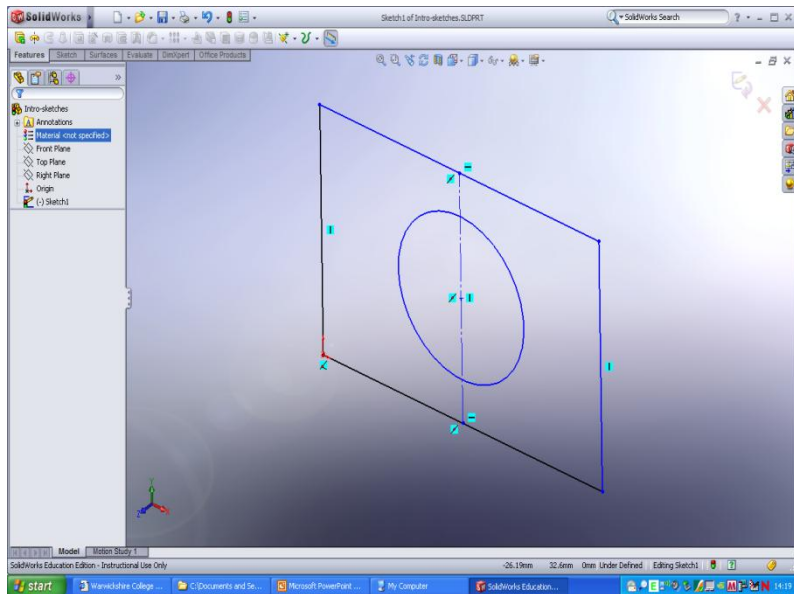


2D Sketching – Sketch Errors

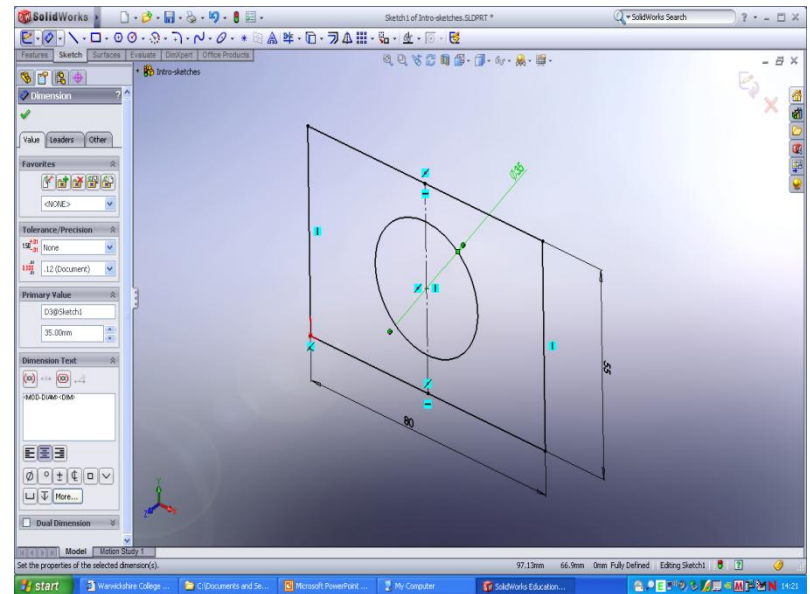


- Keep sketches simple.
- Check for gaps.
- Check for dangling entities.
- Aim for a single enclosed area.

2D Sketching - Defining Sketches



Simplified sketch, still undefined.



Simplified sketch, fully defined.

Sketch Problems

