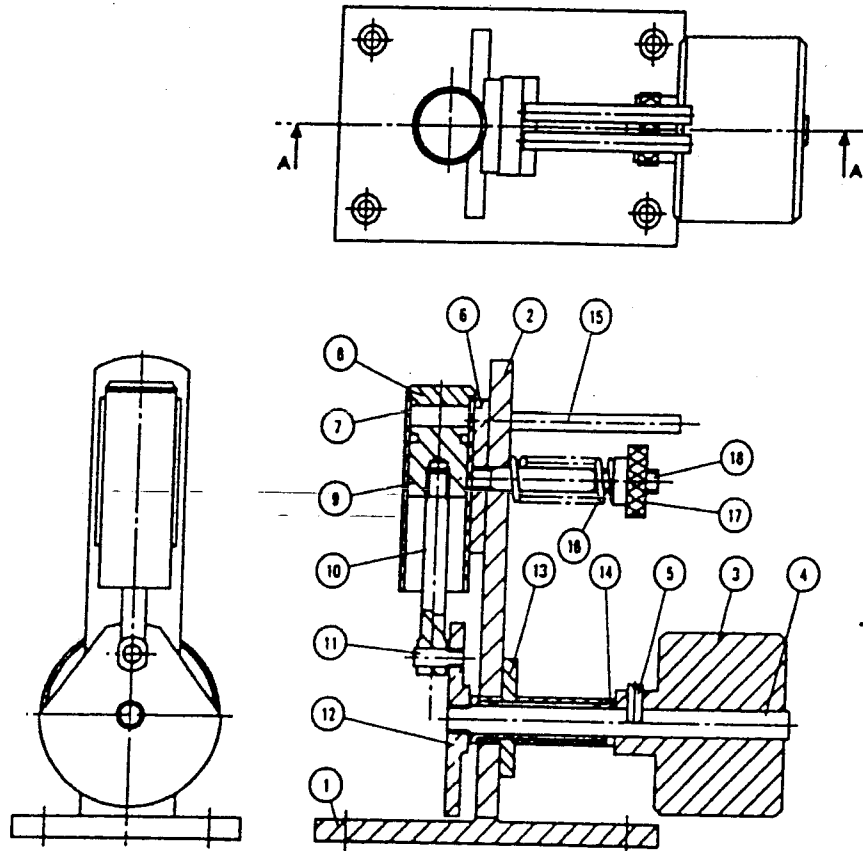
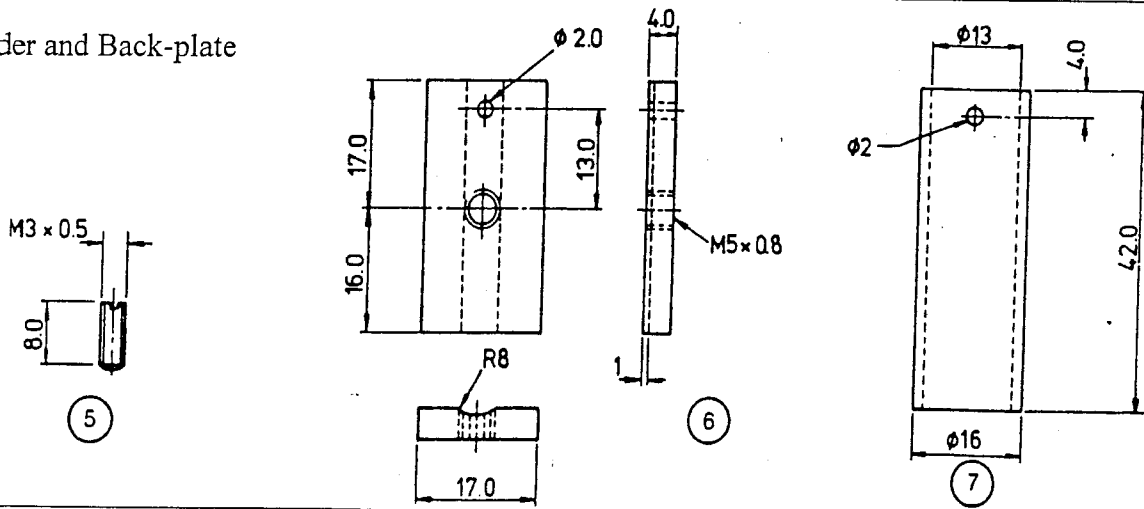


Air Engine.

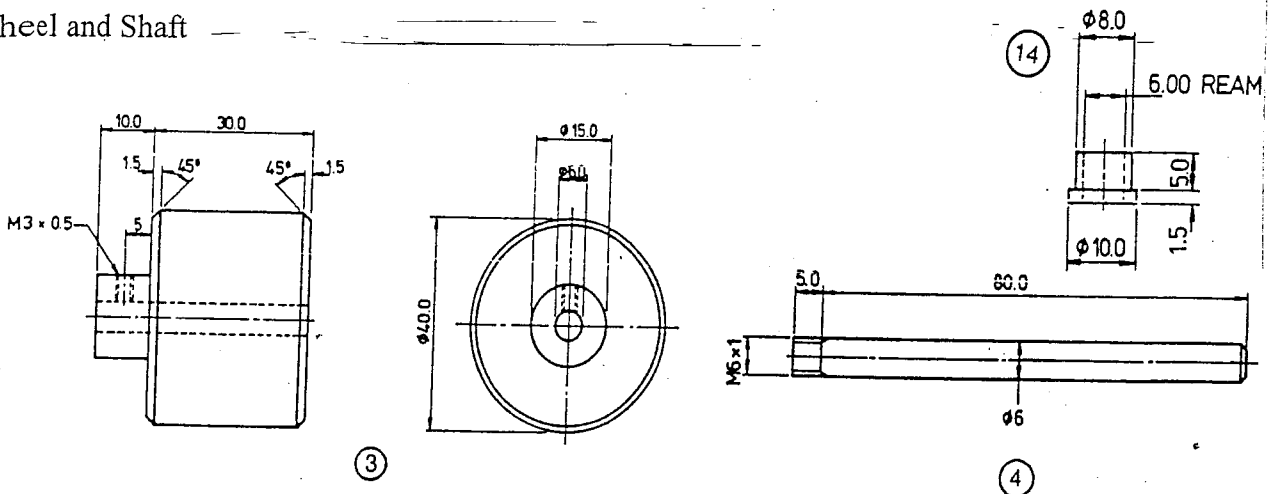
Overview.



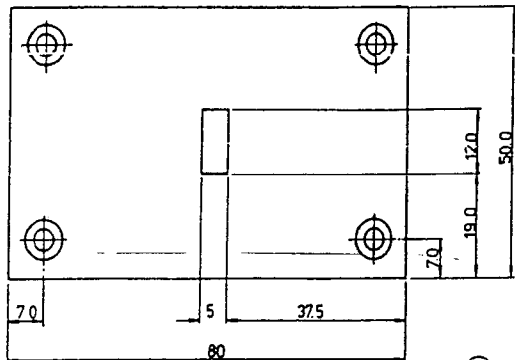
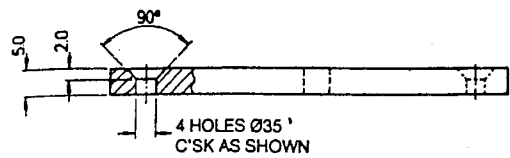
Cylinder and Back-plate



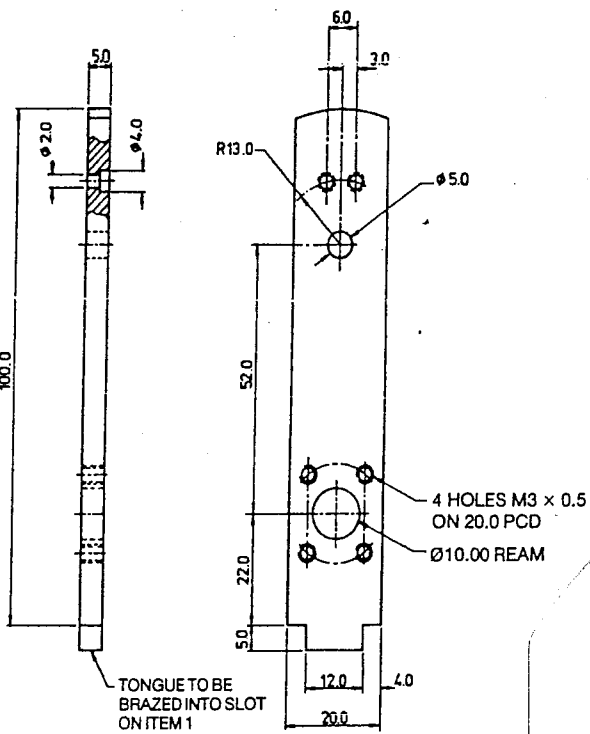
Flywheel and Shaft



Baseplate and Upright.

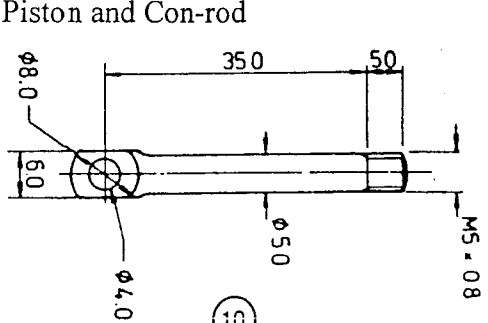


①

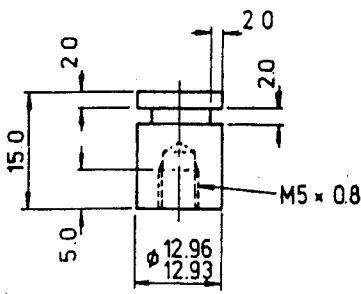


②

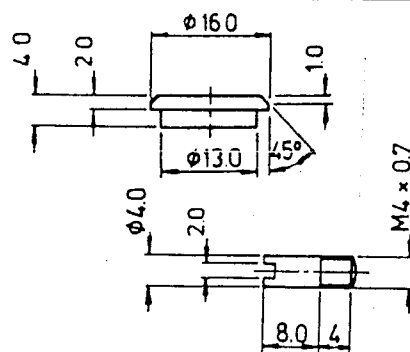
Piston and Con-rod



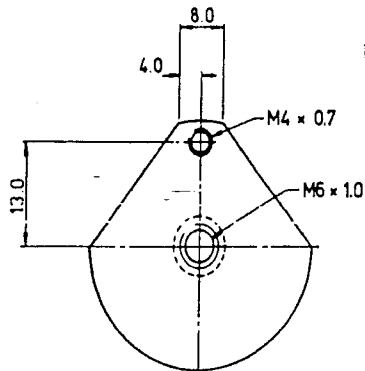
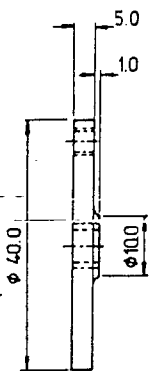
⑩



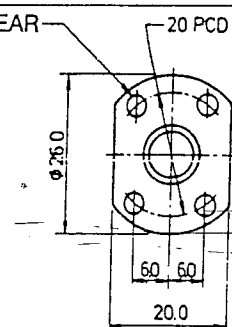
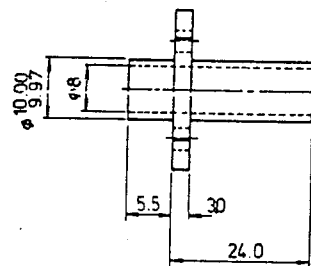
⑨



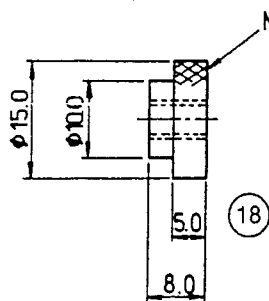
Crank and Bearing.



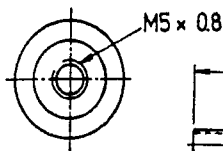
4 HOLES M3 CLEAR



Other Parts.



⑱



⑮ CONNECTING PIPES 2 OFF 20 SWG SWEAT IN PORTS

